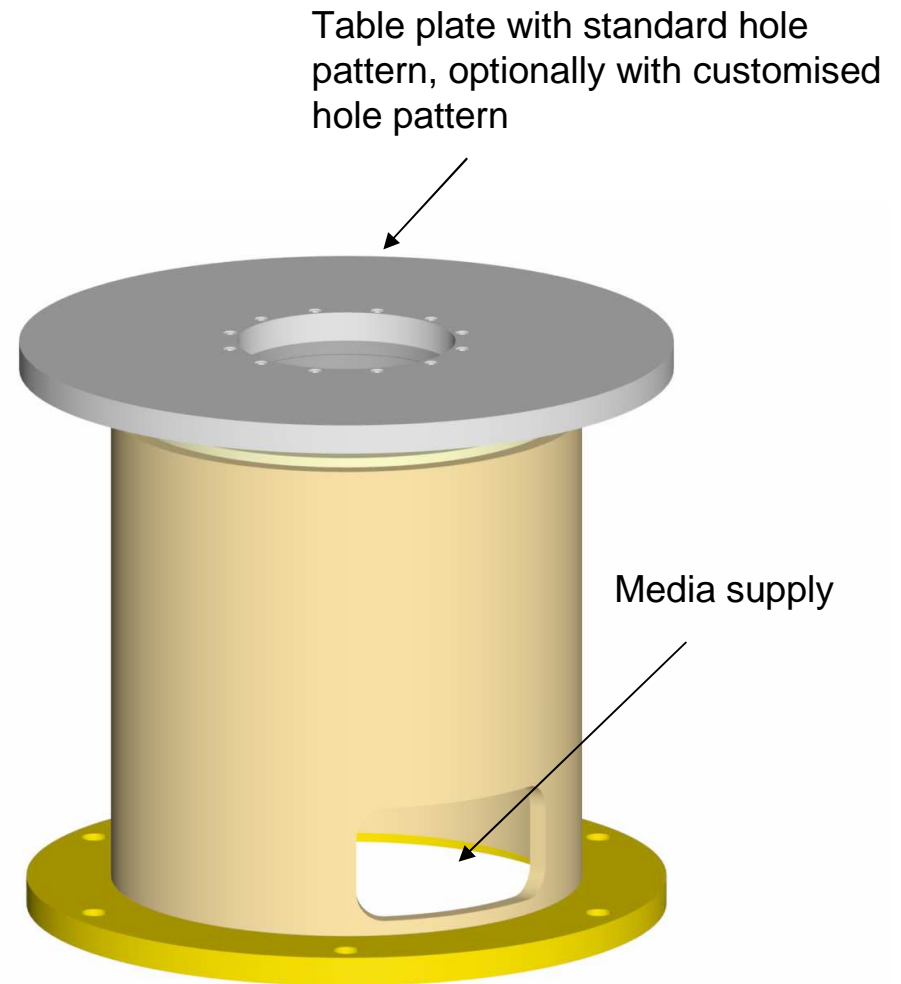


Manual low-cost rotary table EDM series



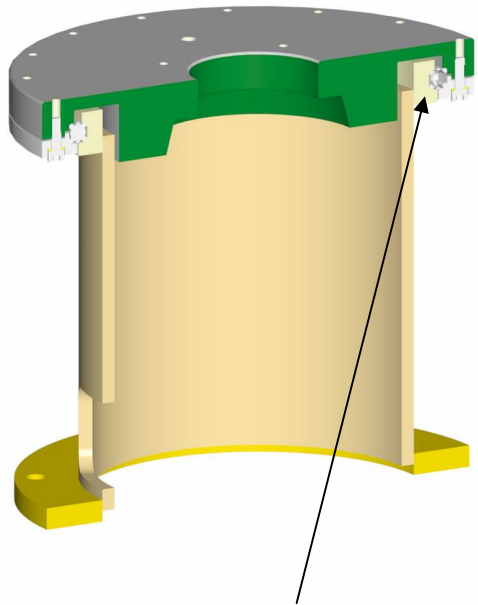
Features:

- Cost-effective rotary table solution for simple, non-time-critical applications
- Ca. 2.000 kg max. load
- Field of application:
 - Manual swivelling in of wire mesh c / paletts into the protective area of the
 - Turning of weld fixtures for better accessibility with manual clamps

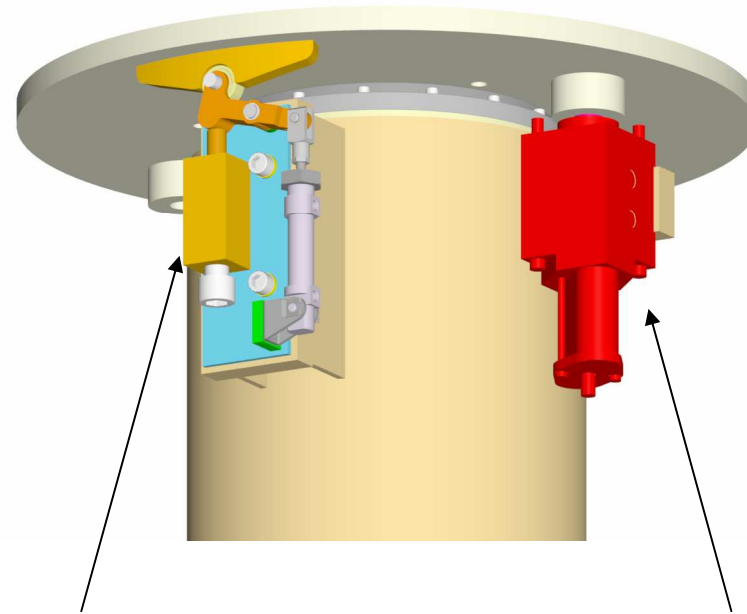




Technical features and options



Robust wire bearing in underfloor design allows for completely closed off, level table plate



Spring detent with pneumatic release

Pneumatic locator for additional fine positioning