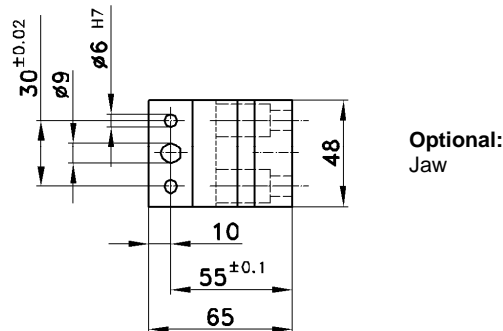
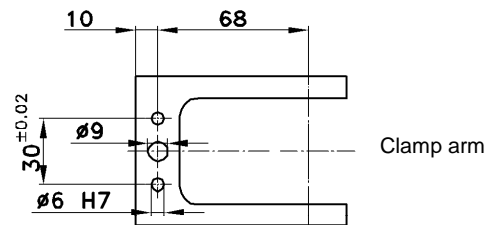
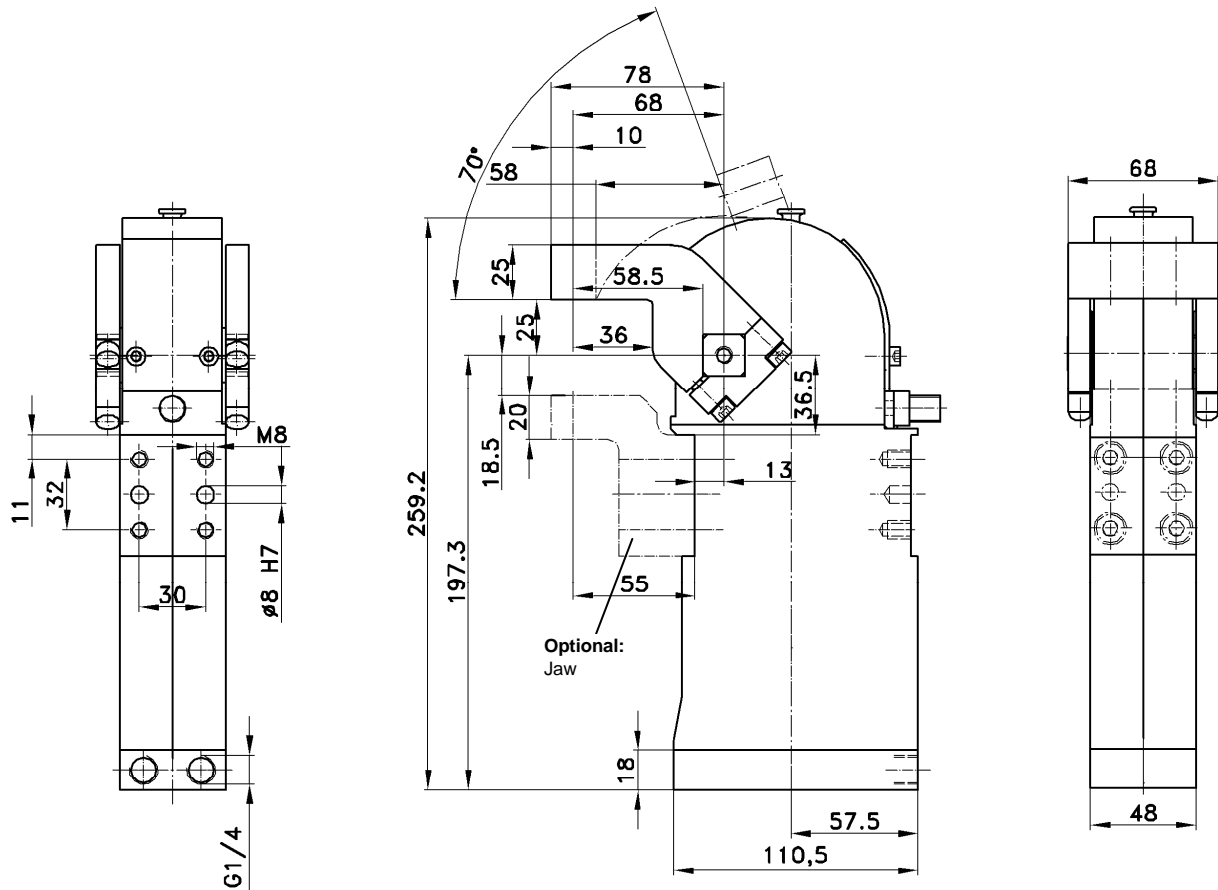


Flange clamp

Toggle-locked end position, optional adjustment function

AFS 50



Order example:

AFS 50 N A30 T12 70°

AFS: Type
 50: Piston Ø
 N: Option: Adjustment function
 A30: With clamp arm
 T12: Sensing system
 70°: Opening angle

Order key for Tünkers sensing systems:

...T00 Without sensing
 ... T12 Inductive sensing 24 V, 1 output with integrated LEDs

Clamp arm versions:

A00: Without clamp arm
 A30 With clamp arm
 A31 With clamp arm and jaw

Opening angle:

Available up to max. 70°; other versions upon request!

*Tolerance of stud boreholes: ± 0.02, of threaded borings: ± 0.1.

Type	Holding force (N)	Clamping force (N)	Weight (kg)
AFS 50	10,000	2500	4.0