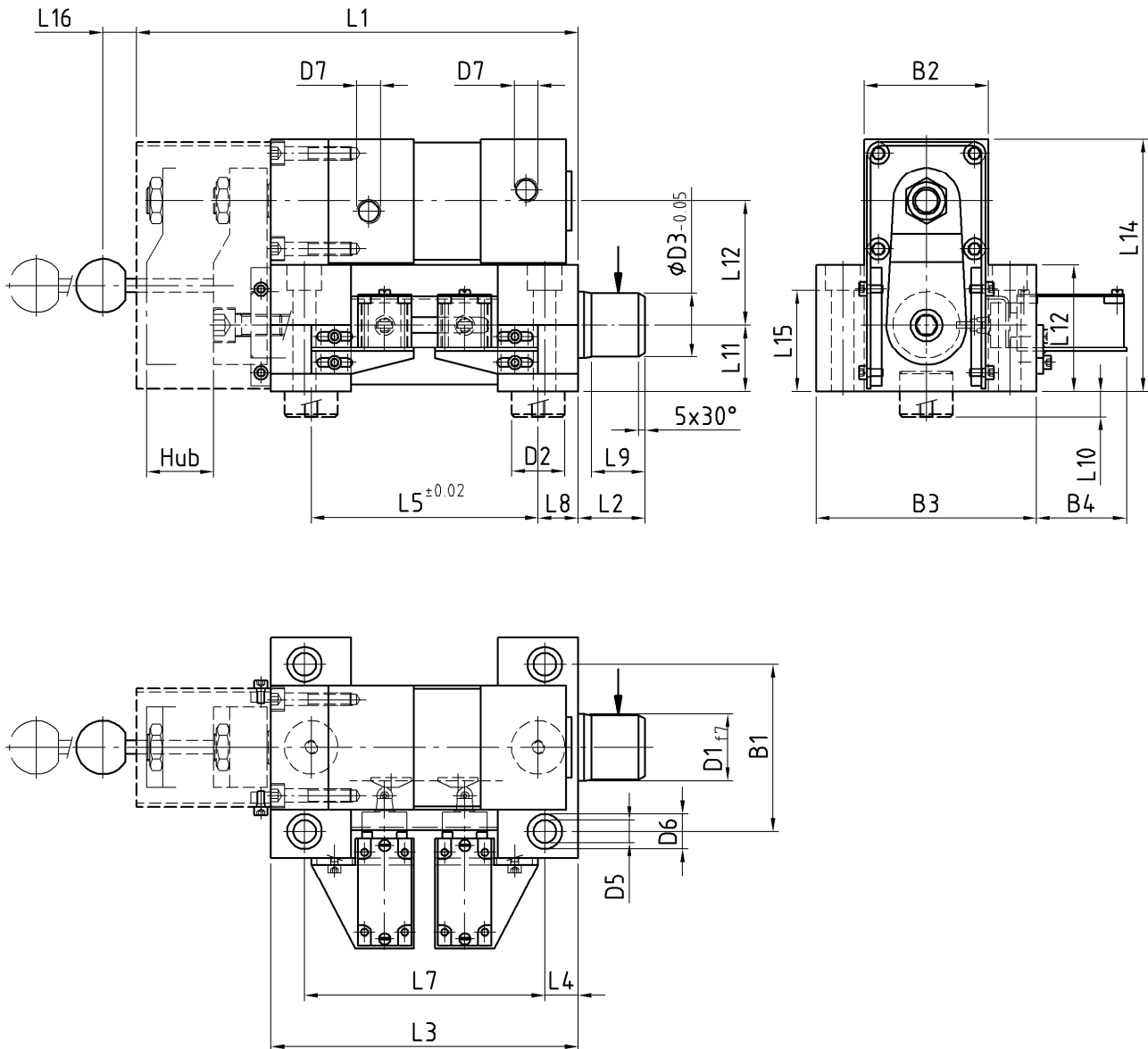


# Shot pin

For lift and turn applications

SAN...



## Ordering example

SAN 80-50/50 T01S

SAN 80: Type  
50: Pin Ø  
50: Stroke  
T01S: Sensing system

## Attention:

- Do not operate under load!
- End position control via safety switch with roller plunger
- Stepless adjustable switch position.

## Option:

Protective cap, centering pin

## Ordering example Tünkers sensing systems:

...T01S Safety switch with roller plunger  
...T12 Inductive sensor 24 V, 1 output with integrated LED's

Medium: Air, max. 6 bar, operation permitted with oil-free air.

\*Tolerance for dowel holes  $\pm 0,02$ , for threaded holes  $\pm 0,1$ .

Type	Cylinder Ø	Stroke	Weight ~ (kg)	Load capacity (static) $F_{max}$ (N)	B1	B2	B3	B4	D2 g6	D3 -0,1	D5 +0,1	D6	D7
SAN 50-25/25	50	25	9	8000	90	64	120	77	30	24	13	20	G 1/4
SAN 80-50/25	80	25	24	22000	125	93	160	69,5	40	48	17	26	G 3/8
SAN 80-50/50	80	50	24	22000	125	93	160	69,5	40	48	17	26	G 3/8

Type	L1	L2	L3	L4	L5	L7	L8	L9	L10	L11	L12	L14	L16
SAN 50-25/25	267	25	205	15	165	175	20	25	8	30	66	119	25
SAN 80-50/25	275	25	230	25	170	180	30	20	18	50	93	205	25
SAN 80-50/50	325	50	230	25	170	180	30	40	18	50	93	205	25