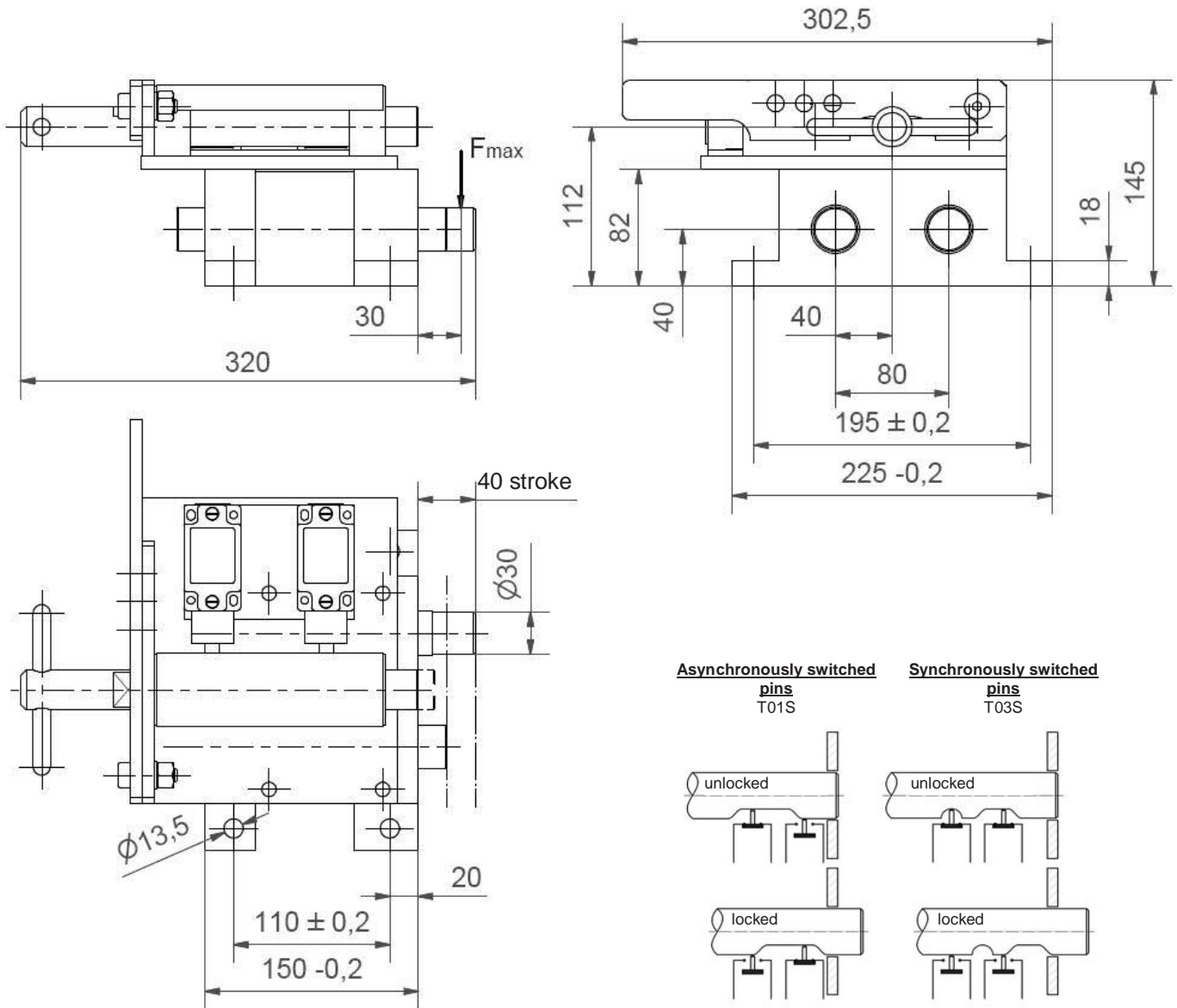


# Shot pin

Tandem design, manual operated

# SAND 50 M



### Ordering example:

SAND 50 M-30/40 T12

SAND 50 M: Type  
 30: Pin Ø  
 40: Stroke  
 T12: Sensing system

### Ordering example Tünkers sensing systems:

...T01S Safety switch with roller plunger (asynchronously switched)  
 ...T03S Safety switch with roller plunger (synchronously switched)  
 ...T12 Inductive sensing 24 V, 1 output with integrated LED's

### Attention:

- Do not operate under load!
- End position control via safety switch with roller plunger AEG GTg 13 NEL with LED
- Stepless adjustable switch position.
- max. load capacity (static):  $F_{max} = 4,5 \text{ kN}$